

## SFD type/Teflon lined Butterfly Valve

Teflon lined butterfly valve is mainly applied in the condition with strong corrosion or the condition requires high clean of medium, to cut off and throttling in the pipeline. Typical Application: Food stuff, pharmacy, chemical industry, petrochemical, oil, gas, water treatment, and so on. With medium: hydrofluoric acid, sulfuric acid, chlorine, phosphoric acid, strong alkaline, aqua regia, etc, or portable water.



### Typical Five Models:

Fully lined SFDF4/F4: Body PTFE lined, disc PTFE lined butterfly valve

Fully lined SFDF46/F46: Body FEP lined, disc FEP lined butterfly valve

Fully lined SFDF4/F46: Body PTFE lined, disc FEP lined butterfly valve

Semi lined SFDF4/P: Body PTFE lined, disc stainless steel without lining butterfly valve

Semi lined SFDF46/P: Body FEP lined, disc stainless steel without lining butterfly valve

Please note that fully lined SFDF4/F4, is just suitable for low pressure, please check us before application.

### Standard and Scope:

Size: NPS 11/2"~48" DN40~DN1200

Pressure Rating: Class 150 Class 150 PN6~PN25

Connection: Double flange, Wafer type, Lug type and so on

Temperature: -29°C ~ 150°C

Body Material: Cast iron, Ductile iron, Carbon steel, Stainless steel

Disc Material: Ductile iron, Carbon steel, Stainless steel, AL-BZ (Aluminum bronze)

Body Seat Material: Teflon, R-PTFE, PTFE, F4, F46, FPA, FEP, Nylon and other polymer

Disc Seat Material (for Full lined butterfly valve): F46, PFA coated

Design and Manufacture: GB 12238, API 609

Test and Inspection: GB/T13927, API609, API598; ISO 5208, BS EN12569

Face-to-Face: GB12221, API609, ISO5752, EN558-1

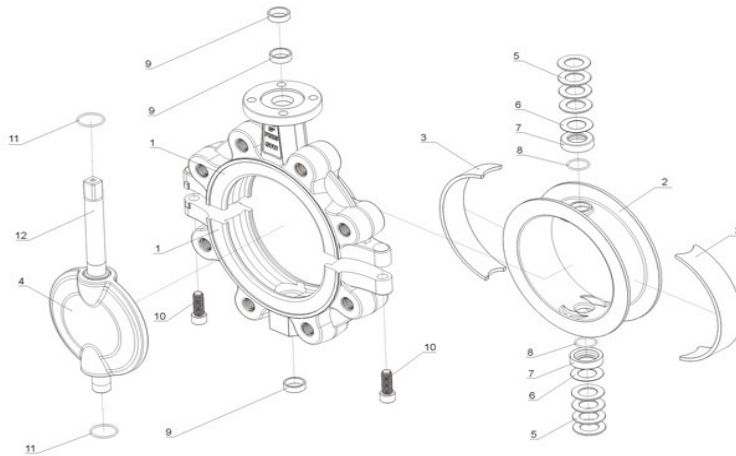
End Connection: HG20592~HG20635, JB/T79, JB/T 78, GB/T 9113, ASME B16. 5 (for NPS≤24), ASME B16.47, MSS SP-44 (for NPS>24), ANSI 125/150; BS EN1092-1, DIN2501 PN10/PN16, JIS10K, BS4504

### Design feature

- Split body, two pieces shaft, so the shaft and body are separated from the media, easy to replace the shaft without dismounting the valve from the pipe

- No pin or no key contact medium
- Bi-directional seal
- Streamlined disc was designed so as to maximize flow, reduce flow resistance and save energy
- Minimized operating torque, energy saving
- Simple and compact structure and convenient maintain and installation
- Long time services life, durable
- Temperature restriction, depends on seat material
- Reliable anti corrosive performance, applicable for various medium
- Small flow block, Excellent regulation performance
- Operated by Manual (Lever, Gearbox), Pneumatic actuator, Electric actuator.

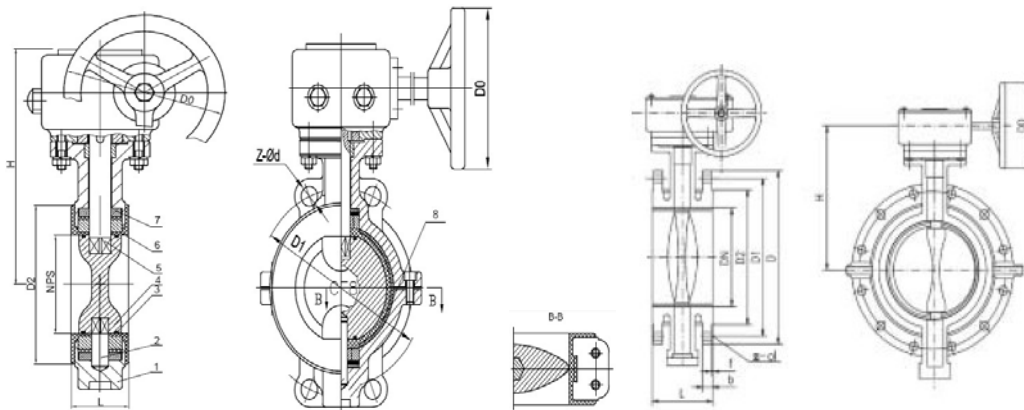
**Main parts List of Teflon lined Butterfly Valve**



PARTS No.	PARTS NAME	MATERIAL NAME	OPTIONAL	MATERIAL	ASTM
1	BODY	Carbon Steel	★	WCB	WCB
		Ductile Iron	◎	QT400-18	A395
		Stainless Steel	★	0Cr18Ni9	CF8
		Stainless Steel	◎	0Cr17Ni12Mo2	CF8M
		Stainless Steel	◎	00Cr17Ni14Mo2	CF3M
2	SEAT	Teflon	★	F4	PTFE
		Reinforced Teflon	◎	RTFE	RTFE
		Polytetrafluoro ethylene	◎	PFA	PFA
3	ELASTOMER	Silicone Rubber	★	HD-8961	VMQ
		Ethylene Propylene Diene Monomer	◎	EPDM	EPDM
		Fluorine Rubber	◎	FPM	FPM
4	DISC	Teflon	★	F4	PTFE
		Polytetrafluoro ethylene	◎	PFA	PFA
		Fluoroethylenepropylene	◎	F46	FEP
		Ethylenetetrafluoroethylene	◎	F40	ETFE
		Stainless Steel	★	0Cr18Ni9	CF8

	☆	(Mirror polishing) Optional	◎	0Cr17Ni12Mo2	CF8M
		(Mirror polishing) Optional	◎	00Cr19Ni10	CF3
		(Mirror polishing) Optional	◎	00Cr17Ni14Mo2	CF3M
		Aluminium Bronze	◎	QAL9-4	C62300
		Brass	◎	H68	C26200
	☆	Stainless Steel with PTFE	◎	CF8/PTFE	CF8/PTFE
5	RESILIENT ELASTOMER BACK-UP PADS	Silicone Rubber	★	HD-8961	VMQ
6	PUSHER	Teflon	★	PTFE	PTFE
7	GLAND	Stainless Steel	★	0Cr18Ni9	304
8	O-RING	Fluorine Rubber	★	FPM	FPM
		Silicone Rubber	◎	HD-8961	VMQ
		Viton with PTFE Coated	◎	FPM/PTFE	FPM/PTFE
9	SELF LUBRICATE BEARINGS	Brass	★	H68	C26200
	☆	Stain steel with PTFE Coated	◎	00Cr17Ni14Mo2/PTFE	316L/PTFE
10	BOLT	Carbon Steel	★	45	
		Stainless Steel	◎	B8M	B8M
11	O-RING	Viton with PTFE Coated	★	FPM/PTFE	FPM/PTFE
		Silicone Rubber	◎	HD-8961	VMQ
		Fluorine Rubber	◎	FPM	FPM
12	STEM	Chromium Stainless Steel	★	1Cr13、2Cr13	410、420J1
		Stainless Steel	◎	0Cr18Ni9	304
		Stainless Steel	◎	0Cr17Ni12Mo2	316
		Stainless Steel	◎	00Cr17Ni14Mo2	316L

**PN10/PN16 Dimension Teflon lined butterfly valve**



Class	Nominal Size		F-t-F Dimension(mm)		Flange Dimension(mm)						Dimension(mm)	
			Flange	Wafer	D	D1	D2	f	b	z-φd	H	D0
	NPS	DN	FLG-L	WF-L								
PN10	1 1/2	40	106	33	145	110	85	3	18	4-φ18	136	150
	2	50	108	43	160	125	100	3	20	4-φ18	143	150
	2 1/2	65	112	46	180	145	120	3	20	4-φ18	157	150

3	80	114	46	195	160	135	3	22	4-φ18	178	150	
4	100	127	2	215	180	155	3	22	8-φ18	185	200	
5	125	140	56	245	210	185	3	24	8-φ18	206	200	
6	150	140	56	280	240	210	3	24	8-φ23	225	280	
8	200	152	60	335	295	265	3	26	8-φ23	275	280	
10	250	165	68	390	350	320	3	28	12-φ23	326	340	
12	300	178	78	440	400	368	3	28	12-φ23	333	340	
14	350	190	78	500	460	428	4	30	16-φ23	393	340	
16	400	216	102	565	515	482	4	32	16-φ25	438	340	
18	450	222	114	615	565	532	4	32	20-φ25	488	340	
20	500	229	127	670	620	585	4	34	20-φ25	540	400	
24	600	267	154	780	725	685	5	36	20-φ30	615	400	
28	700	292	165	895	840	800	5	40	24-φ30	660	500	
32	800	318	190	1010	950	905	5	44	24-φ34	720	500	
36	900	330	203	1110	1050	1005	5	46	28-φ34	785	500	
40	1000	410	216	1220	1160	1115	5	50	28-φ34	900	640	
48	1200	470	254	1450	1380	1325	5	56	32-φ41	1070	640	
Class	Nominal Size		F-t-F Dimension(mm)		Flange Dimension(mm)						Dimension(mm)	
			Flange	Wafer								
	NPS	DN	RF-L	WF-L	D	D1	D2	b	f	z-φd	H	D0
PN16	1 1/2	40	106	33	145	110	85	3	18	4-φ18	136	150
	2	50	108	43	160	125	100	3	20	4-φ18	143	150
	2 1/2	65	112	46	180	145	120	3	20	4-φ18	157	150
	3	80	114	46	195	160	135	3	22	8-φ18	178	150
	4	100	127	2	215	180	155	3	24	8-φ18	185	200
	5	125	140	56	245	210	185	3	26	8-φ18	206	200
	6	150	140	56	280	240	210	3	28	8-φ18	225	280
	8	200	152	60	335	295	265	3	30	12-φ23	275	280
	10	250	165	68	405	355	320	3	32	12-φ25	326	340
	12	300	178	78	460	410	375	4	34	12-φ25	333	340
	14	350	190	78	520	470	435	4	38	16-φ25	393	340
	16	400	216	102	580	525	485	4	40	16-φ30	438	340
	18	450	222	114	640	585	545	4	44	20-φ30	488	340
	20	500	229	127	705	650	608	4	46	20-φ34	540	400
	24	600	267	154	840	770	718	5	54	20-φ41	615	400
	28	700	292	165	910	840	788	5	54	24-φ41	660	500
	32	800	318	190	1020	950	898	5	54	24-φ41	720	500
36	900	330	203	1120	1050	998	5	54	28-φ41	785	500	
40	1000	410	216	1255	1170	1110	5	60	28-φ48	900	640	

NOTE: The material and data in this catalog is for general information. For specific performance data, proper material selection and special design, consult us freely. Although every attempt has been made to ensure correct information, Sangong reserves the right to change designs, materials or specifications without notice.