

SZD type/Rubber lined Butterfly Valve

Rubber lined Butterfly Valve is center disc design and resilient seat design. Mainly used for low pressure pipeline medium switch control, serve as cut off and throttling in the pipeline. Service: pharmacy, chemical industry, industrial environmental protection, water resource, high building, water supply, fire fighting.



Typical Seven Models:

Iron body SZDX: Body: iron/ductile iron with rubber lined, disc: Ductile iron + ENP

Iron body SZDX/T: Body: iron/ductile iron with rubber lined, disc: aluminum bronze

Iron body SZDX/P: Body: iron/ductile iron with rubber lined, disc: stainless steel

Steel body SZDX-C: Body: carbon steel with rubber lined, disc: Ductile iron + ENP

Steel body SZDX/P-C: Body: carbon steel with rubber lined, disc: stainless steel

Stainless steel body SZDX/P-P: Body: stainless steel with rubber lined, disc: stainless steel

Fully lined rubber SZDX/X: Body with rubber lined, disc with harden rubber lined

Please note that fully lined SZDX/X, please check us before application.

Standard and Scope:

Size: NPS 2"~48" DN40~DN1600

Pressure Rating: Class 125 Class 150 PN2.5~PN16

Connection: Double flange, Wafer type, Lug type and so on

Body Material: Cast iron, Ductile iron, Carbon steel, Stainless steel

Disc Material: Ductile iron + ENP(Electro Nickel plated), Carbon steel + ENP(Electro Nickel plated), Stainless steel, AL-BZ (Aluminum bronze)

Body Seat Material: EPDM, NBR, Viton, and other rubber

Design and Manufacture: **API 609/GB/T 12238**, BS5155, EN593, ISO 5752/BS5155

Test and Inspection: **API609, API598**; ISO 5208, BS EN12569

Face-to-Face: API609, ISO5752, DIN3202-K1, EN558-1, BS5155, MSS SP-67

End Connection: ASME B16. 5 (for NPS≤24) , ASME B16.47, MSS SP-44 (for NPS>24) , ANSI 125/150; BS EN1092-1, DIN2501PN10/PN16, JIS10K, BS4504

Design feature

- Bi-directional seal
- Streamlined disc was designed so as to maximize flow, reduce flow resistance and save energy
- Minimized operating torque, energy saving

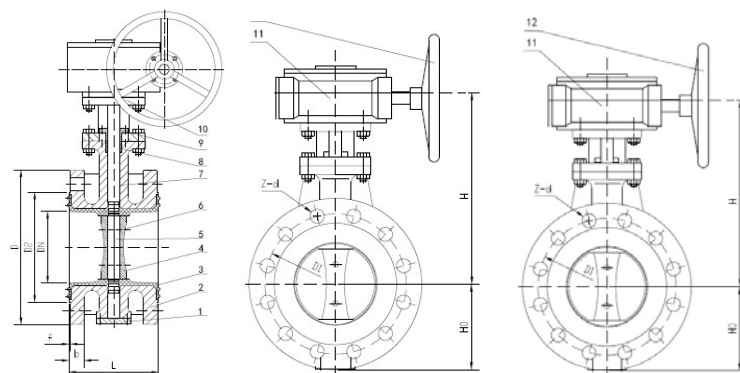
- Simple and compact structure and convenient maintain and installation
- Ring in the neck was designed to prevent leakage
- Long time services life, durable
- Temperature restriction, depends on seat material
- Anti corrosive in some condition
- No additional flange gasket needed
- Small flow block, excellent regulation performance
- Wide selection of materials, applicable for various medium
- One Shaft with Pin, No pin and two shaft is also available if required
- Operated by Manual, handle, Gearbox, Pneumatic actuator, Electric actuator
- Extended stem (Optional)

Rubber Suitable Temperature and Medium

Body	Code	Disc	Code	Shaft	Bushing	Seat	Code	Temperature °C
Iron	Z	Ductile iron+ENP	Q	Stainless Steel	Self-lubricate	Natural rubber	X1	-20~+85
Ductile iron	Q	AL-bronze	T	Carbon Steel	Lubricated bronze	Hypalon	X2	-18~+135
AL-bronze	T	ZG1Cr18Ni9Ti	P		PTFE			Short:-18~+149
ZG1Cr18Ni9Ti/304	P	SS304	P			EPDM	X3	-45~+120
CF8M/316	R	CF8M	R					Short:-50~+150
Carbon Steel / wcb	C	SS316	R			Neoprene	X4	-7~+93
								Short:-7~+107
						NBR	X5	-12~+82
								Short:-12~+93
						Abrasion resistant rubber	X6	-10~+50
						Viton	X7	-20~+85
						Heat resistant EPDM	X8	-20~+85
						PTFE	F4	-20~+85

For other not listed material, please contact our us.

PN10/PN16 Dimension Rubber lined butterfly valve



PN10

Nominal size		Face to face mm			Flange dimension mm						Ref dimension mm		Weight(kg)
DN	NPS	L	L2	L-Wafer	D	D1	D2	f	b	Z-φd	D0	H	Flange
40	1.5	106	106	33	145	110	85	3	18	4-φ18	160	140	10
50	2	108	108	43	160	125	100	3	20	4-φ18	200	160	12
65	2.5	112	112	46	180	145	120	3	20	4-φ18	250	160	13
80	3	114	114	46	195	160	135	3	22	4-φ18	250	170	14
100	4	127	127	52	215	180	155	3	22	8-φ18	300	180	16
125	5	140	140	56	245	210	185	3	24	8-φ18	300	275	18
150	6	140	140	56	280	240	210	3	24	8-φ23	200	295	38
200	8	152	152	60	335	295	265	3	26	8-φ23	200	320	74
250	10	165	250	68	390	350	320	3	28	12-φ23	240	385	105
300	12	178	270	78	440	400	368	4	28	12-φ23	240	390	142
350	14	190	290	78	500	460	428	4	30	16-φ23	280	460	179
400	16	216	310	102	565	515	482	4	32	16-φ25	280	510	220
450	18	222	330	114	615	565	532	4	32	20-φ25	320	540	268
500	20	229	350	127	670	620	585	4	34	20-φ30	320	570	378
600	24	267	390	154	780	725	685	5	36	20-φ30	360	660	608
700	28	292	430	165	895	840	800	5	40	24-φ30	360	710	950
800	32	318	470	190	1010	950	905	5	44	24-φ30	360	780	1320
900	36	330	510	203	1110	1050	1005	5	46	28-φ34	380	885	1795
1000	40	410	550	216	1220	1160	1115	5	50	28-φ34	400	990	1900

PN16

Nominal size		Face to face mm			Flange dimension mm						Ref dimension mm		Weight(kg)
DN	NPS	L	L2	L-Wafer	D	D1	D2	f	b	Z-φd	D0	H	Flange
40	1.5	106	106	33	145	110	85	3	18	4-φ18	160	140	10
50	2	108	108	43	160	125	100	3	20	4-φ18	200	160	12
65	2.5	112	112	46	180	145	120	3	20	4-φ18	250	160	13
80	3	114	114	46	195	160	135	3	22	8-φ18	260	170	14
100	4	127	127	52	215	180	155	3	24	8-φ18	300	180	16
125	5	140	140	56	245	210	185	3	26	8-φ18	300	275	18
150	6	140	140	56	280	240	210	3	28	8-φ23	200	295	42
200	8	152	152	60	335	295	265	3	30	12-φ23	200	320	78
250	10	165	250	68	405	355	320	3	32	12-φ25	240	385	120
300	12	178	270	78	460	410	375	4	34	12-φ25	240	390	145
350	14	190	290	78	520	470	435	4	38	16-φ25	240	460	202
400	16	216	310	102	580	525	485	4	40	16-φ30	280	510	235
450	18	222	330	114	640	585	545	4	44	20-φ30	280	540	368
500	20	229	350	127	705	650	608	4	46	20-φ34	320	570	420
600	24	267	390	154	755	770	718	5	54	24-φ41	320	660	750
700	28	292	430	165	840	840	788	5	54	24-φ41	360	710	1028
800	32	318	470	190	910	950	898	5	54	24-φ41	380	780	1690
900	36	330	510	203	1120	1050	998	5	54	28-φ41	400	885	1815
1000	40	410	550	216	1255	1170	1110	5	60	28-φ48	500	990	2050

NOTE: The material in this catalog is for general information. For specific performance data, proper material selection and special design, consult us freely. Although every attempt has been made to ensure correct information, Sangong reserves the right to change designs, materials or specifications without notice.