

SFH type /API Forged Steel Check Valve(Swing/Lift)

Forged steel Check valves are mainly used for the pipelines on various systems of thermal power station, especially for non-corrosive mediums like water and steam with high temperature and high pressure. .



Standard and Scope :

Size: 1 / 4 "to 2" DN15 to DN50

Pressure: CLASS150, CLASS300, CLASS600, CLASS800, CLASS 900, CLASS1500, CLASS 2500, PN16~PN420

Material: Carbon Steel (A105, LF2), Stainless Steel(F304, F304L, F316, F316L), Duplex(F51, F55),Alloy(F1, F5, F5A, F9, F11, F22)

Design and manufacture: API602, ASME B16.34, BS 5352

Pressure Test: API 598

Tag: MSS SP25

SW Socket welding ends according to ASME B16.11

BW butt weld by ASME B16.25

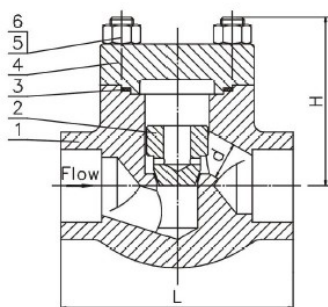
NPT threaded connector according to ASME B1.20.1

Flanged according to ASME B16.5

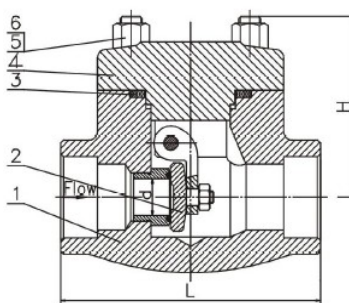
Design feature

- Close texture and better physical performance
- Reduce port (Normal), full port (Optional)
- Welded bonnet (Optional), Bolted bonnet (Optional), Pressure sealing bonnet (Optional)
- Integral flange (Optional)
- Bellow seal (Optional)
- Lift type(Optional), Swing type(Optional)

Lift Check Valve



Swing Check Valve



Parts List – API602 Standard

Parts No.	Part Name	ASTM Materials				
		Carbon steel	1.25Cr-0.5Mo	2.25Cr-1Mo	CF8/304(L)	CF8M/316(L)
1	Body	A105	A182 F11	A182 F22	A182 F304(L)	A182 F316(L)
2	Disc	A105	A182 F11	A182 F22	A182 F304(L)	A182 F316(L)
3	Bonnet gasket	304+graphite	304+graphite	304+graphite	304(L)+graphite	316(L)+graphite
4	Bonnet	A105	A182 F11	A182 F22	A182 F304(L)	A182 F316(L)
5	Bolt	A193 B7	A193 B7	A193 B16	A193 B8(M)	A913B8M
7	Nut	A194 2H	A194 8	A194 8	A194 8	A194 8

Note: The charts above just only list common combination of check valve. SGV able to offer other material if required.

Main Outline Dimension and Weight - API 602 Forged steel Check Valve

Class	Nominal Size		Lift Check valve Dimension(mm)			Weight	Swing Check valve Dimension(mm)			Weight
	R.P	F.P	L	d	H	Kg	L	d	H	Kg
150lb	1/2	3/8	79	10	54.5	1.4	79	13	54.5	1.3
	3/4	1/2	92	13	54.5	1.9	92	13	54.5	1.7
~	1	3/4	111	17.5	72	2.6	111	18	72	2.4
800lb	1 1/4	1	120	23	81	4.2	120	24	81	4
	1 1/2	1 1/4	152	28.5	94	5.3	120	29	94	5.1
	2	1 1/2	172	35	112	9	140	36.8	112	8.8
Class	Nominal Size		Lift Check valve Dimension(mm)			Weight	Swing Check valve Dimension(mm)			Weight
	R.P	F.P	L	d	H	Kg	L	d	H	Kg
900lb	1/2	3/8	92	10	73	2.4	92	13	73	2.2
	3/4	1/2	111	13	73	2.9	111	13	73	2.7
~	1	3/4	120	17.5	84	4.6	120	18	84	4.4
1500lb	1 1/4	1	152	23	97	6.5	120	24	97	6.3
	1 1/2	1 1/4	172	28.5	115	10.5	140	29	115	10.3
	2	1 1/2	220	35	132	15.5	160	36.8	132	15.3
Class	Nominal Size		Lift Check valve Dimension(mm)			Weight	Swing Check valve Dimension(mm)			Weight
	R.P	F.P	L	d	H	Kg	L	d	H	Kg
2500lb	1/2	3/8	150	11	102	7.8				
	3/4	1/2	150	14	102	8.5				
	1	3/4	170	19	107	12				
	1 1/4	1	200	25	128	18.1				
	1 1/2	1 1/4	200	28	128	19.5				
	2	1 1/2	250	35	143	27				
Note	R.P.:reduce port;F.P.:full port;B.B.:bolted bonnet;W.B.:welded bonnet;									

NOTE: The material and data in this catalog is for general information. For specific performance data, proper material selection and special design, consult us freely. Although every attempt has been made to ensure correct information, Sangong reserves the right to change designs, materials or specifications without notice.