

## SSZ type/ API Slab Gate Valve

### Standard and Scope:

Design and Manufacture: API6D, ISO14313

Test and Inspection: API6D, API598, ISO 5208

Pressure-temperature ratings: ASME B16.34

Face-to-Face: ASME B16.10, API6D

End Connection: ASME B16.5 (for NPS≤24) ; ASME B16.47, MSS SP-44

BW End connection: ASME B16.25



### Main Parts Chart

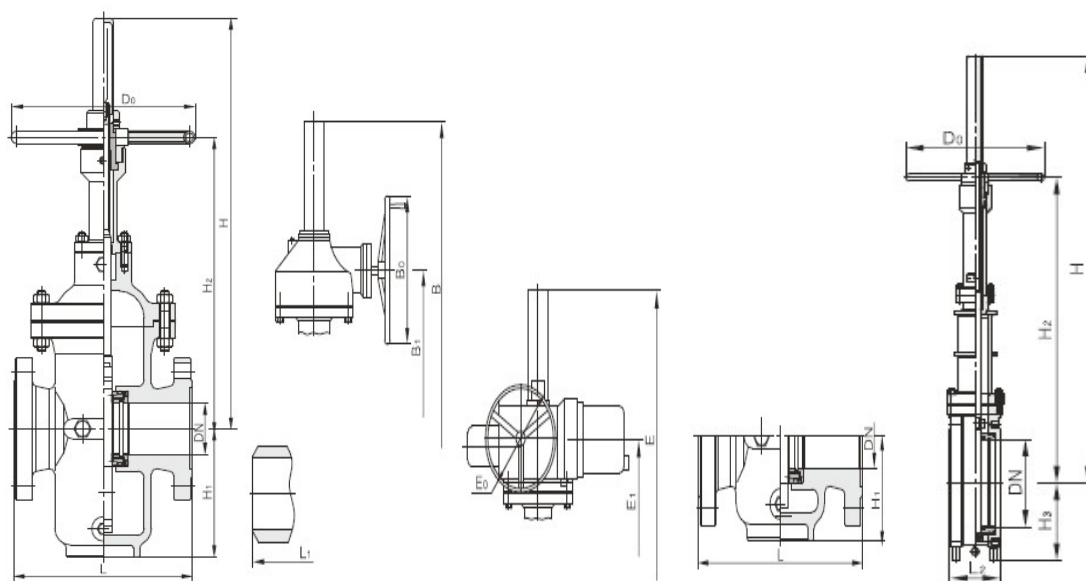
Part Name	Carbon steel		Alloy steel				Stainless steel			
	A216 WCB	A352 LCB	A217 WC1	A217 WC6	A217 WC9	A217 C5	A351 CF8	A35CF8M	A351 CF3	A351 CF3M
1 Body	A216 WCB	A352 LCB	A217 WC1	A217 WC6	A217 WC9	A217 C5	A351 CF8	A35CF8M	A351 CF3	A351 CF3M
2 Seat	A105+PTFE						SS+PTFE			
3 Slab	A105+ENP						A182 F316	A182 F304L	A182 F316L	
4 Stem	A276 420	A276 420	A276 420	A276 420	A276 420	A276 420	A276 304	A276 316	A276 304L	A276 316L
5 Gasket	Graphite+304,SS spiral wound ,PTFE, Rainforced PTFE									
6 Bonnet	A216 WCB	A352 LCB	A217 WC1	A217 WC6	A217 WC9	A217 C5	A351 CF8	A35CF8M	A351 CF3	A351 CF3M
7 Bolt	A193 B7	A320 L7	A193 B7	A193 B16	A193 B16	A193 B16	A193 B18	A193 B18	A193 B18	A193 B18
8 Nut	A194 2H	A194 4	A194 2H	A194 4	A194 4	A194 4	A194 8	A194 8	A194 8	A194 8
9 Packing	graphite(braided graphite ,die-formed graphite ,PTFE)									
10 Sealing Shroud	A276 420	A276 420	A276 420	A276 420	A276 420	A276 420	A276 304	A276 316	A276 304L	A276 316L
11 Blot	A193 B7	A320 L7	A193 B7	A193 B16	A193 B16	A193 B16	A193 B18	A193 B18	A193 B18	A193 B18
12 Nut	A194 2H	A194 4	A194 2H	A194 4	A194 4	A194 4	A194 8	A194 8	A194 8	A194 8
13 Yoke	A216 WCB	A352 LCB	A217 WC1	A217 WC6	A217 WC9	A217 C5	A351 CF8	A35CF8M	A351 CF3	A351 CF3M
14 Stem Nut	Cooper alloy or A439 D2									
15 Gland	A105	A105	A105	A105	A105	A105	A182 F304	A182 F316	A182 F304L	A182 F316L
16 Hand wheel	Ductile iron or carbon steel									
17 Stem Protector	Carbon Steel									
18 Position Indicator	SS304,SS316									
19 Injection Fitting	SS304,SS316									
20 Scutcheon	1Cr 18Ni9Ti, SS304,SS316									
21 Spring	SS302, SS304, SS316									

Note: The charts above just only list common combination of slab gate valve. SGV able to offer other material if required

Design feature

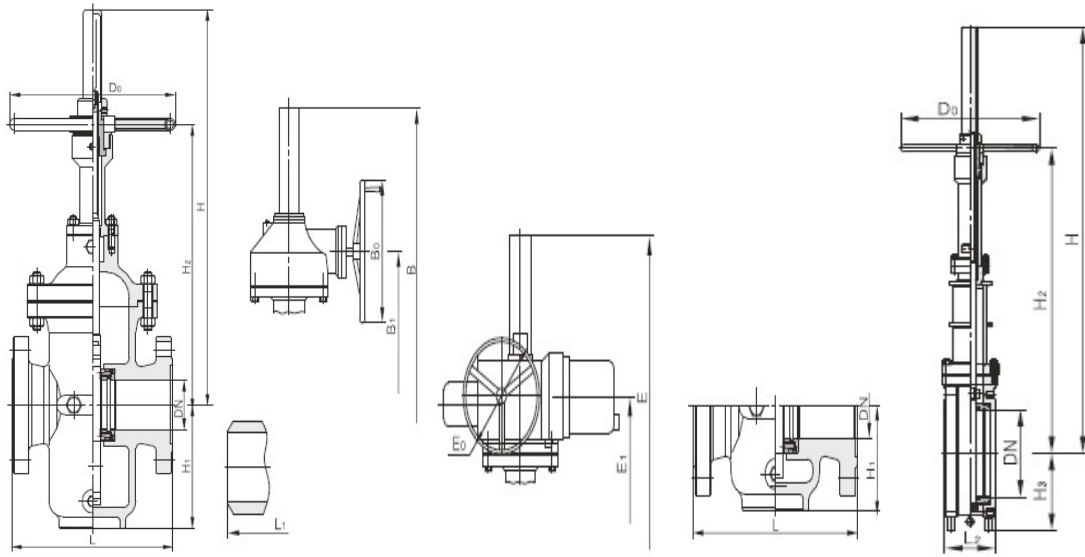
- Full bore, through conduit extend valve life and eliminated turbulence and pressure drop
- Bi-directional design improves project cost performance
- Permanent contact between the gate and the seats protects against particle corrosion of particle
- Flat plate design, floating seats, bypass design, all lead to lower operating torque
- Visual position indicator is also available if required
- Threaded area of rising stem isolated with working fluid and atmosphere, which increased service life
- Top entry assembly and simple, reliable gate and seats makes easy field service

Class 150 API Slab Gate Valve



Size NPS	Face to face			Hand Operated			Gear driving			Gear	Electric driving			Electric Actuator	H3	H1
	L	L1	L2	H	H2	D0	B	B1	B0		E	E1	E0			
1	127	127		360	250	180									60	85
1 1/4	140	140		375	260	180									71	103
1 1/2	165	165		410	290	250									75	115
2	178	216		450	315	250									85	122
2 1/2	190	241		550	420	300									91	154
3	203	283		610	428	300									109	169
4	229	305	150	700	494	300	770	650	310	BA-0	912	790	200	SMC-04	121	193
6	267	403	150	895	625	350	965	800	310	BA-0	1107	920	500	SMC-03	178	283
8	292	419	180	1130	784	350	1200	960	310	BA-0	1390	1120	500	SMC-03	211	352
10	330	457	180	1290	937	400	1360	1080	310	BA-0	1550	1250	500	SMC-03	215	440
12	356	502	200	1480	1080	450	1560	1200	310	BA-0	1740	1400	305	SMC-00	245	514
14	381	572	200	1660	1283	500	1740	1350	460	BA-1	1913	1550	305	SMC-00	280	602
16	406	610	218	1850	1417	500	1930	1560	460	BA-1	2103	1620	305	SMC-00	310	678
18	432	660	218	2080	1489	600	2160	1680	460	BA-1	2365	1830	305	SMC-0	346	785
20	457	711	229	2300	1672	700	2420	1850	460	BA-1	2585	1980	305	SMC-0	363	855
24	508	813	248	2680	2012	800	2800	2120	460	BA-2	2990	2300	305	SMC-1	442	1045
28	610	914	286	3080	2250	800	3200	2450	460	BA-2	3390	2600	305	SMC-1	506	1190
32	660	965	286	3491	2550	1000	3640	2800	460	BA-2	3850	2980	305	SMC-1	560	1350
36	711	1016		3897	2850	1000	4050	3080	600	BA-2	4260	3200	458	SMC-2	610	1510
40	811			4317	3250	1200	4467	3400	600	BA-2	4677	3600	458	SMC-2	715	1715

Class 300&Class600 API Slab Gate Valve



Size	Face to face			Hand Operated			Gear driving			Gear	Electric driving			Electric Actuator	H3	H1
NPS	L	L1	L2	H	H2	D0	B	B1	B0		E	E1	E0			
1	165	127		370	260	180									70	90
1 1/4	178	140		385	270	180									80	115
1 1/2	190	165		420	300	250									85	131
2	216	216		458	325	250									100	136
2 1/2	241	241		555	420	300									106	170
3	283	283		615	430	300									124	185
4	305	305	150	710	499	300	770	650	310	BA-0	912	790	200	SMC-04	145	218
6	403	403	150	900	625	350	965	800	310	BA-0	1155	960	500	SMC-03	206	310
8	419	419	180	1135	788	350	1200	960	310	BA-0	1390	1120	500	SMC-00	241	383
10	457	457	180	1401	1041	400	1360	1080	310	BA-0	1545	1245	500	SMC-00	251	476
12	502	502	200	1580	1150	450	1560	1200	310	BA-0	1745	1400	305	SMC-0	281	545
14	762	762	200				1740	1350	460	BA-1	1940	1575	305	SMC-0	325	645
16	838	838	218				1930	1540	460	BA-1	2138	1635	305	SMC-0	360	730
18	914	914	218				2160	1700	460	BA-1	2380	1835	305	SMC-1	400	800
20	991	991	229				2420	1850	460	BA-1	2655	2045	305	SMC-1	430	930
24	1143	1143	248				2800	2120	460	BA-2	3005	2300	305	SMC-1	497	1100
28	1346	1346	286				3200	2455	460	BA-2	3490	2660	305	SMC-2	560	1260
32	1524	1524	286				3640	2800	460	BA-2	3880	3015	305	SMC-2	620	1420
36	1727	1727					4050	3080	600	BA-3	4260	3200	458	SMC-2	610	1510
Size	Face to face			Hand Operated			Gear driving			Gear	Electric driving			Electric Actuator	H3	H1
NPS	L	L1	L2	H	H2	D0	B	B1	B0		E	E1	E0			
2	216	216		468	335	300	505	430	310	BA-0	647	560	200	SMC-04	108	158
2 1/2	241	241		565	429	300	560	470	310	BA-0	702	610	200	SMC-04	125	190
3	283	283		625	440	350	610	510	310	BA-0	752	650	500	SMC-03	144	225
4	305	305	150	720	511	350	770	650	310	BA-0	950	820	500	SMC-03	165	255
6	403	403	150	910	633	400	965	800	310	BA-0	1140	958	305	SMC-0	220	330
8	419	419	180	1145	800	500	1200	960	310	BA-1	1400	1128	305	SMC-0	281	410
10	457	457	180	1410	1050	500	1360	10	460	BA-1	1574	1280	305	SMC-0	330	490
12	502	502	200	1591	1160	600	1560	1200	460	BA-1	1745	1405	305	SMC-1	382	570
14	762	762	200				1740	1350	460	BA-2	1935	1571	305	SMC-1	431	650
16	838	838	218				1930	1540	460	BA-2	2205	1700	305	SMC-1	481	735
18	914	914	218				2160	1700	460	BA-2	2500	1940	458	SMC-2	531	810
20	991	991	229				2420	1850	460	BA-2	2630	2020	458	SMC-2	581	905

NOTE: The material in this catalog is for general information. For specific performance data, proper material selection and special design, consult us freely. Although every attempt has been made to ensure correct information, Sangong reserves the right to change designs, materials or specifications without notice.